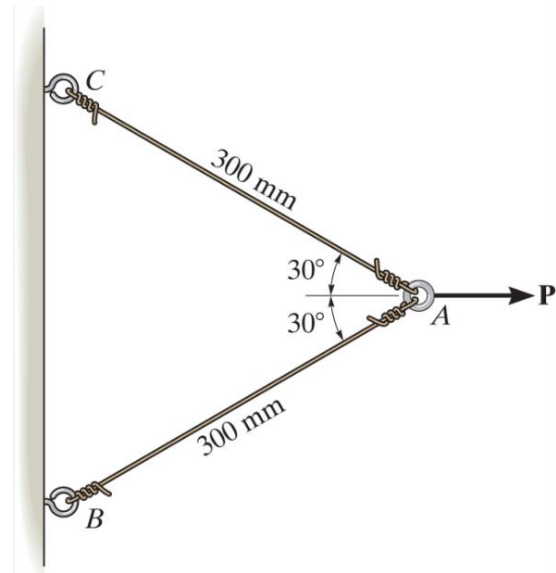


Chapter 2 Lecture Problems

Problem 2-5

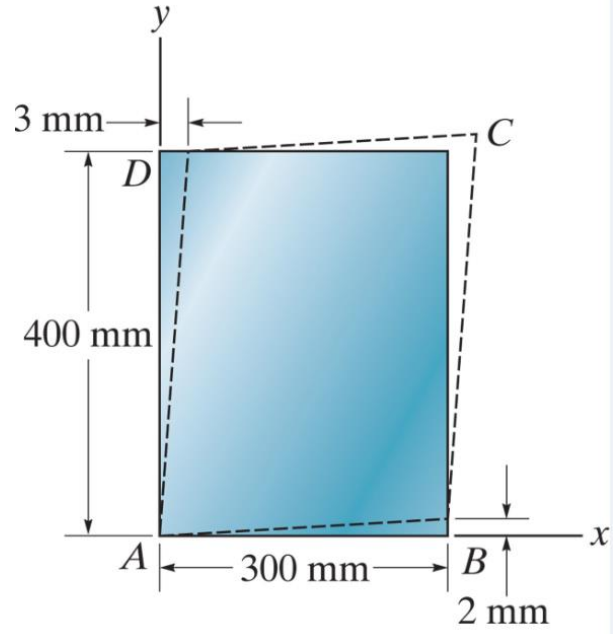
The two wires are connected together at A. If the force P causes point A to be displaced horizontally 2 mm, determine the normal strain developed in each wire.



Chapter 2 Lecture Problems

Problem 2-12

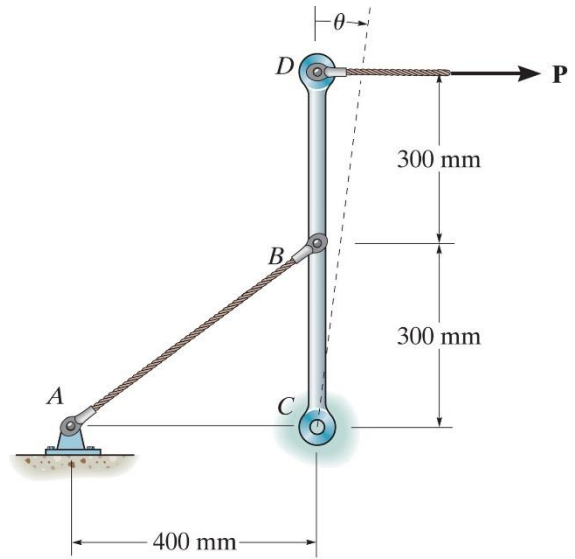
The piece of rubber is originally rectangular. Determine the average shear strain γ_{xy} at A if the corners B and D are subjected to the displacements that cause the rubber to distort as shown by the dashed lines.



Chapter 2 Lecture Problems

Problem 2-9

Part of a control linkage for an airplane consists of a rigid member CBD and a flexible cable AB . If a force is applied to the end D of the member and causes a normal strain in the cable of 0.0035 mm/mm , determine the displacement of point D . Originally the cable is unstretched.



Chapter 2 Lecture Problems

Problem 2-22

The triangular plate is fixed at its base, and its apex A is given a horizontal displacement of 5 mm. Determine the shear strain γ_{xy} at A .

