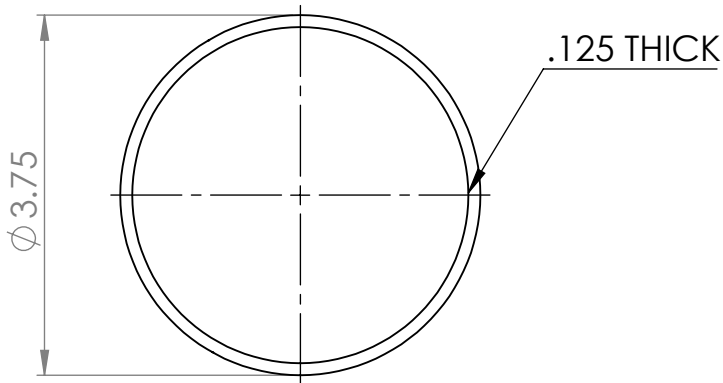


4 3 2 1

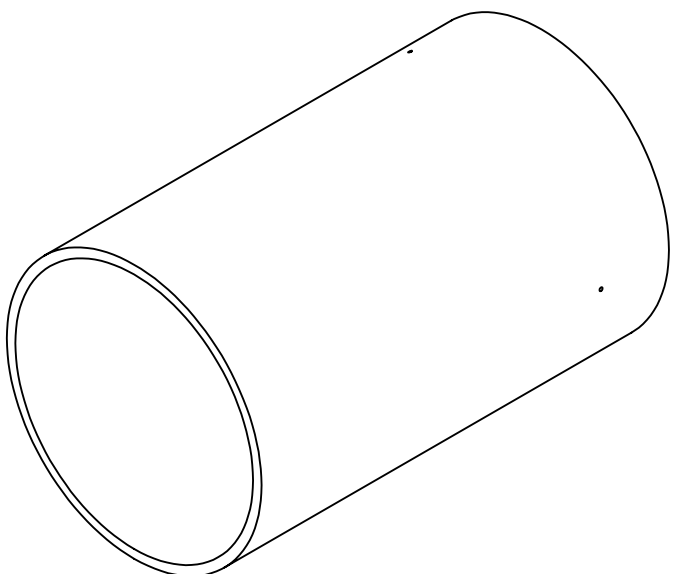
F

F



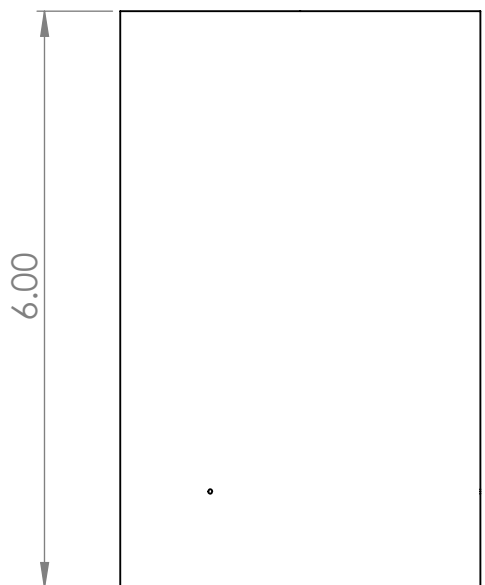
E

E



D

D



C

C

B

B

UNLESS OTHERWISE SPECIFIED:  
 DIMENSIONS ARE IN MILLIMETERS  
 SURFACE FINISH:  
 TOLERANCES:  
 LINEAR:  
 ANGULAR:

FINISH:

DEBURR AND  
 BREAK SHARP  
 EDGES

DO NOT SCALE DRAWING

REVISION

|        | NAME | SIGNATURE | DATE |
|--------|------|-----------|------|
| DRAWN  |      |           |      |
| CHK'D  |      |           |      |
| APPV'D |      |           |      |
| MFG    |      |           |      |
| Q.A    |      |           |      |

TITLE:  
**Assembly A**

DWG NO.  
**forward coupler**

MATERIAL:

WEIGHT:

SCALE: 1:2

SHEET 1 OF 1

A

A

4 3 2 1