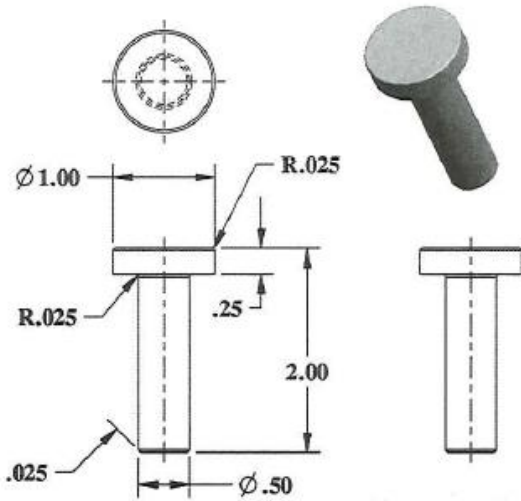


University of Texas – Rio Grande Valley Engineering Graphics

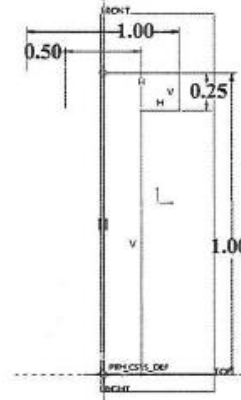
Dimensions are in Inches – Save all parts as (.prt)

Problem 1



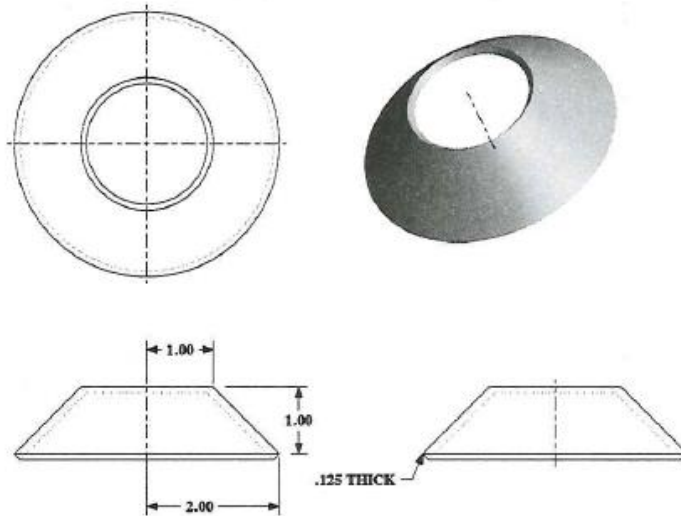
Hints:

1. Use revolve tool.
2. Draw the centerline.
3. Sketch the section (shown in the figure below)



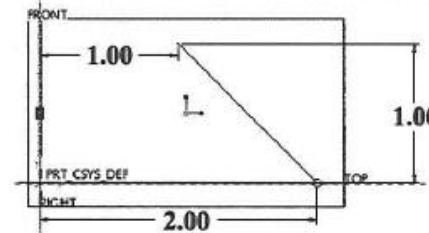
4. Chamfer the bottom edge of the shank and round the other two edges.

Problem 2



Hints:

1. Start revolve feature.
2. Use "thicken" option and specify thickness.
3. Sketch the section. Add additional dimensions.

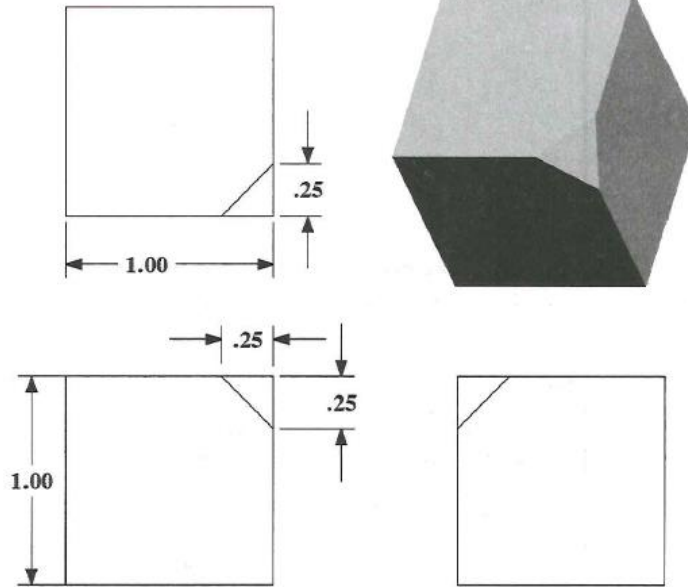


4. Exit sketcher.

University of Texas – Rio Grande Valley
Engineering Graphics

Dimensions are in Inches – Save all parts as (.prt)

Problem 3



Hints:

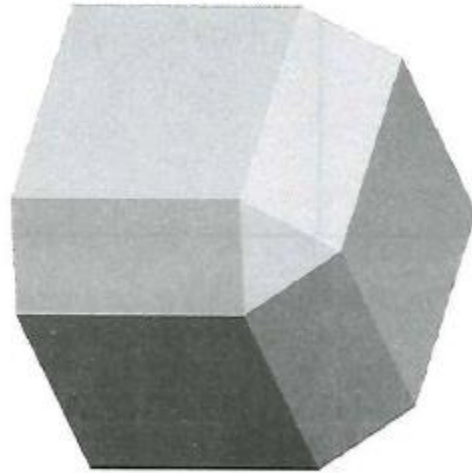
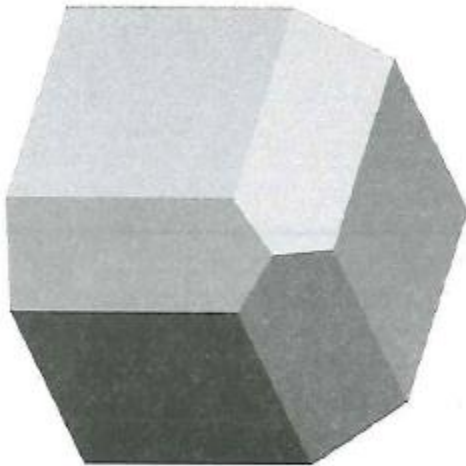
1. Create the base feature – a block.
2. Search for CORNER CHAMFER in the search bar on the top right corner.
3. Select the corner point of the square.
4. Select “Enter Input” option and input .25 along each edge.

University of Texas – Rio Grande Valley
Engineering Graphics

Dimensions are in Inches – Save all parts as (.prt)

Problem 4

Create two parts.



Hints:

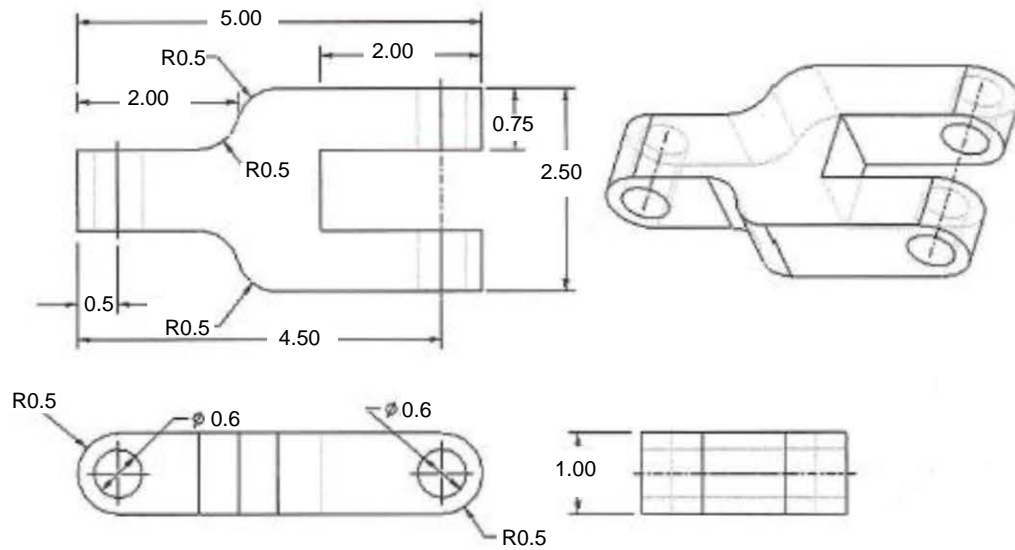
1. Create the base feature – a block. Size 1"×1"×1".
2. Select "MODEL → Chamfer" option.
3. Select "D×D" option and enter 0.25" for D.

5. You have the first part. Use "Save As" to save it as the first part file.
6. Now, select the chamfer feature in the model tree, click and hold Right Mouse and select Edit Definition.

University of Texas – Rio Grande Valley
Engineering Graphics

Dimensions are in Inches – Save all parts as (.prt)

Problem 5



Hints:

The part progression is shown in the figures below.

